

JETINOX



GENERAL DATA

Applications

Self-priming centrifugal pump with excellent suction capacity even when there are air bubbles and small particles of sand in the water.

Used especially for supplying water to domestic installations. Ideal for use in small-scale agriculture and gardening, limited industrial services and wherever self-priming operation is necessary.

Constructional features of the pump

Stainless steel pump body, seal cover and pressure disc.

Die-cast aluminium motor support.

Technopolymer impeller, diffuser and Venturi tube.

Carbon/ceramic mechanical seal.

Constructional features of the motor

Induction motor, closed and cooled with external ventilation.

Rotor mounted on oversized greased sealed-for-life ball bearings to ensure silent running and long life. Built-in thermal and current overload protection and a capacitor permanently in circuit in the single-phase version.

Three-phase motors should be protected with a suitable overload protection complying with the regulations in force.

Manufactured according to CEI 2-3 and CEI 61-69 standards (EN 60335-2-41).

Motor protection: IP 44

Terminal box protection: IP 55

Insulation class: F

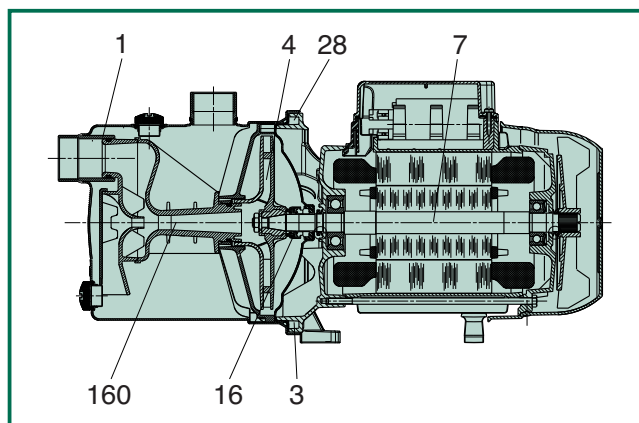
Standard voltage: single-phase 220-240 V/50 Hz

three-phase 230-400 V/50 Hz

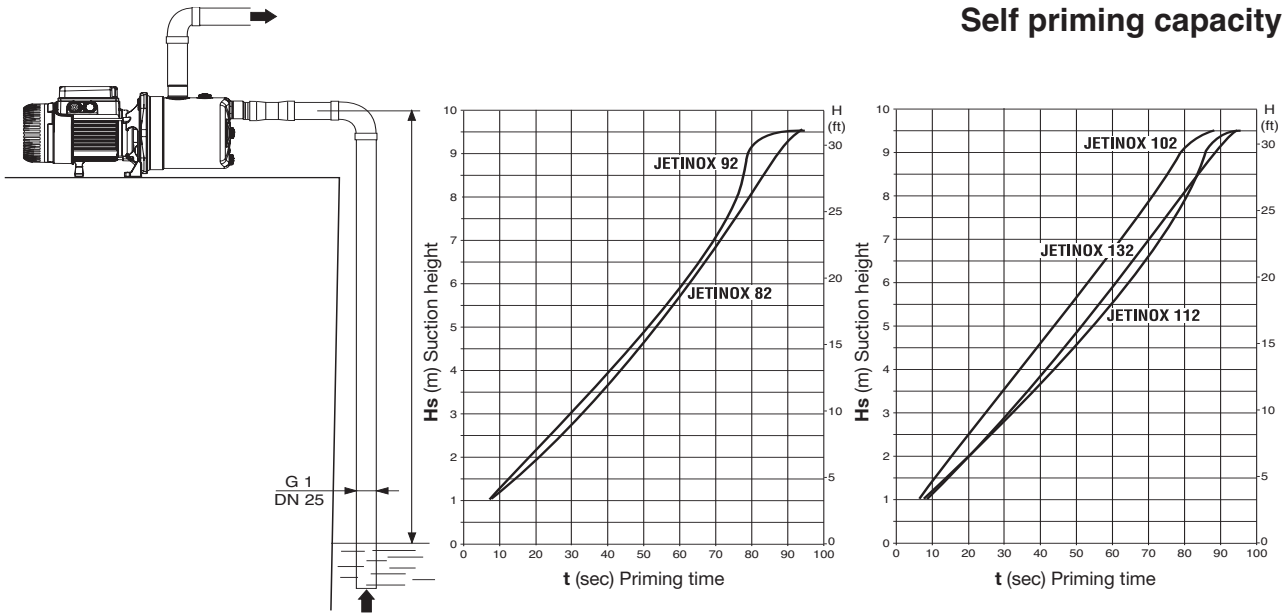
TECHNICAL DATA

N.	PARTS*	MATERIALS
1	PUMP BODY	STAINLESS STEEL AISI 304 X5 CrNi 1810 - UNI 6900/71
4	IMPELLER	TECHNOPOLYMER A
7	SHAFT WITH ROTOR	STAINLESS STEEL AISI 303 X10 CrNiS 1809 - UNI 6900/71
16	MECHANICAL SEAL	CARBON/CERAMIC
28	OR GASKET	NBR RUBBER
36	SEAL COVER	STAINLESS STEEL AISI 304 X5 CrNi 1810 - UNI 6900/71
160	NOZZLE-VENTURI DIFFUSER ASSEMBLY	TECHNOPOLYMER A

* In contact with the liquid.



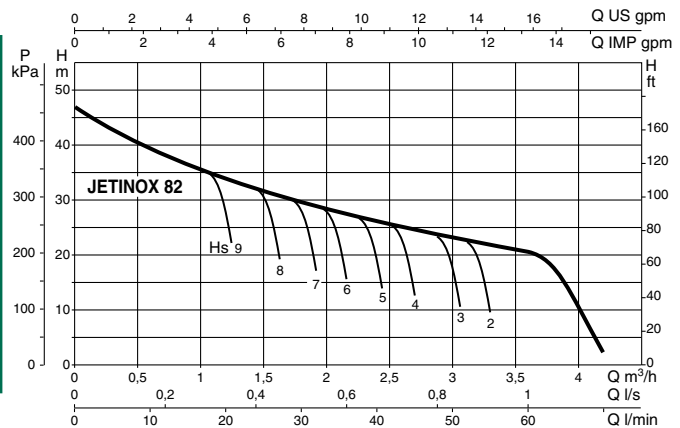
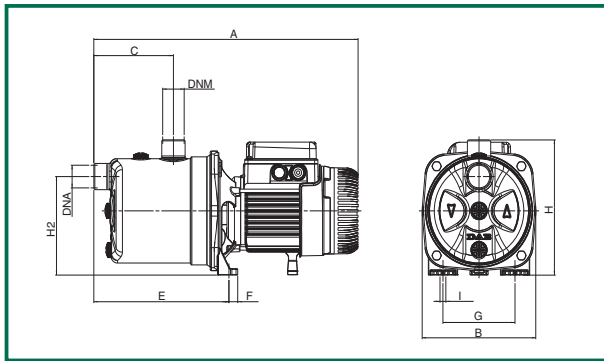
Self priming capacity



- Operating range: from 0.6 to 5.4 m³/h with head up to 61 metres
- Liquid quality requirements: clean, free from solids or abrasive substances, non viscous, non aggressive, non crystallized, chemically neutral, close to the characteristics of water.
- Liquid temperature range: from 0°C to +35°C for domestic use (EN 60335-2-41)
from 0°C to +40°C for other uses
- Maximum suction depth: 8 metres
- Maximum ambient temperature: **+50°C**
- Maximum operating pressure: 8 bar (800 kPa)
- Installation: fixed or portable in a horizontal position
- Special executions on request: other voltages and/or frequencies

The performance curves are based on the kinematic viscosity values = 1 mm²/s and density equal to 1000 kg/m³. Curve tolerance according to ISO 9906.
Liquid temperature range: from 0 °C to +35°C Maximum ambient temperature: +50°C

JETINOX 82

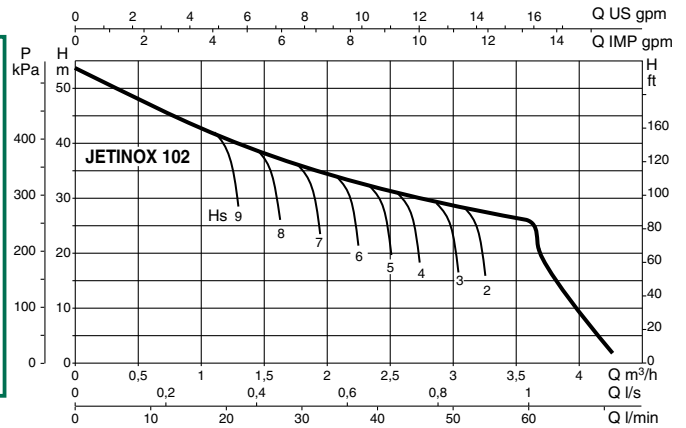
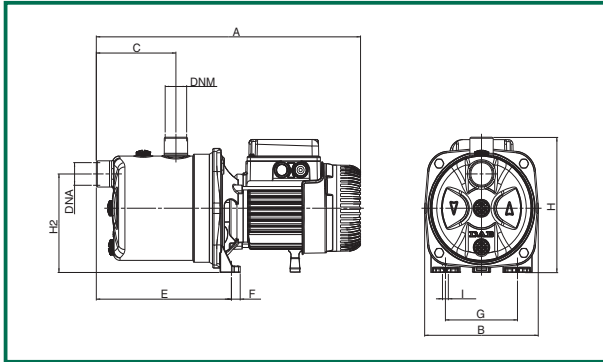


MODEL	A	B	C	E	F	G	H	H1	H2	I	L	DNA	DNM	PACKING DIMENSIONS			VOLUME	WEIGHT
														L/A	L/B	H	m ³	Kg
JETINOX 82	406	174	122	207	14	111	197	-	144	9	-	1" G	1" G	470	240	240	0,027	7,8

MODEL	ELECTRICAL DATA						HYDRAULIC DATA (n = 2800 1/min)								
	VOLTAGE 50 Hz	P1 MAX kW	P2 NOMINAL		In A	CAPACITOR	Q	H							
			kW	HP		μF	Vc	m ³ /h	0	0,6	1,2	1,8	2,4	3	3,6
JETINOX 82 M	1x220-240 V ~	0,85	0,6	0,8	3,8	12,5	450		0	10	20	30	40	50	60
JETINOX 82 T	3x230-400 V ~	0,86	0,6	0,8	2,8-1,6	-	-	H (m)	47	40	34	30	26,2	23,5	20,3

The performance curves are based on the kinematic viscosity values = 1 mm²/s and density equal to 1000 kg/m³. Curve tolerance according to ISO 9906.
 Liquid temperature range: from 0 °C to +35°C Maximum ambient temperature: +50°C

JETINOX 102



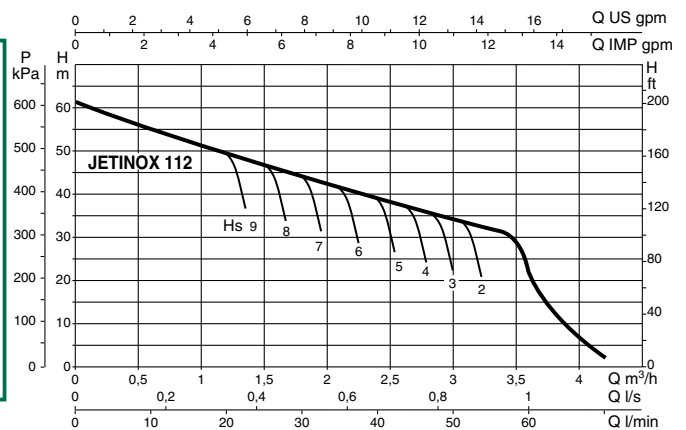
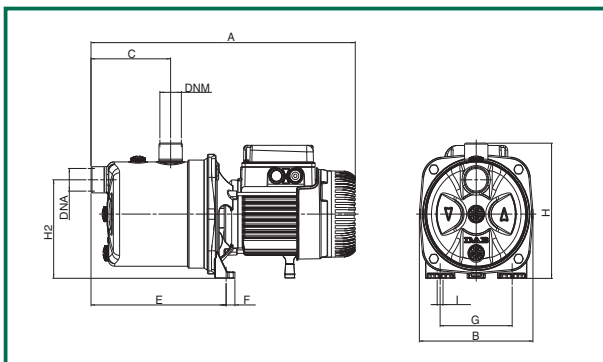
MODEL	A	B	C	E	F	G	H	H1	H2	I	L	DNA	DNM	PACKING DIMENSIONS			VOLUME	WEIGHT
														L/A	L/B	H	m ³	Kg
JETINOX 102	424	174	122	207	14	111	197	–	144	9	–	1" G	1" G	470	240	240	0,027	9,6

MODEL	ELECTRICAL DATA						HYDRAULIC DATA (n ≈ 2800 1/min)												
	VOLTAGE 50 Hz	P1 MAX kW	P2 NOMINAL		In A	CAPACITOR		Q											
			kW	HP		μF	Vc	m ³ /h	l/min	0	0,6	1,2	1,8	2,4	3	3,6			
JETINOX 102 M	1x220-240 V ~	1,13	0,75	1	5,1	16	450	H (m)	53,8	47	41	36,3	32,4	28,8	25,8				
JETINOX 102 T	3x230-400 V ~	1,04	0,75	1	3,3-1,9	–	–												

Liquid temperature range: from 0 °C to +35°C

Maximum ambient temperature: +50°C

JETINOX 112

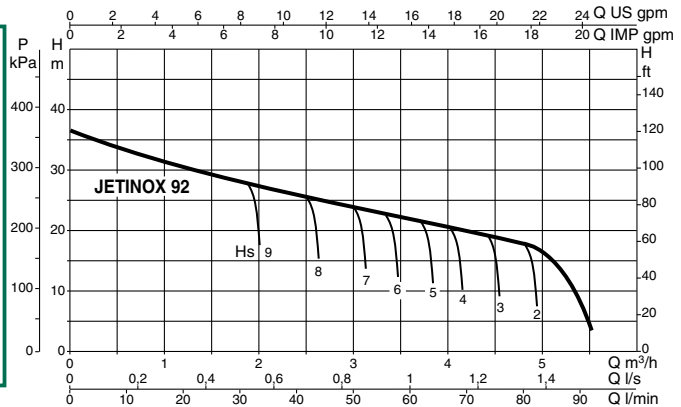
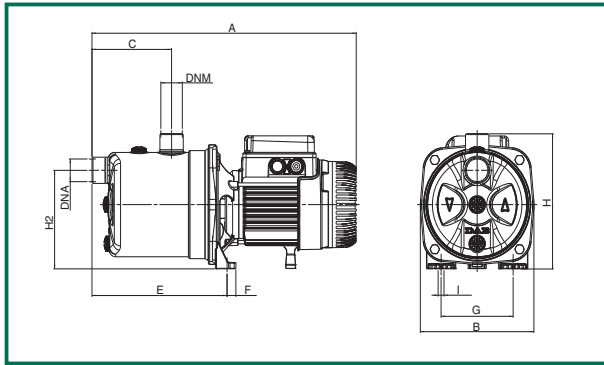


MODEL	A	B	C	E	F	G	H	H1	H2	I	L	DNA	DNM	PACKING DIMENSIONS			VOLUME	WEIGHT
														L/A	L/B	H	m ³	Kg
JETINOX 112	424	174	122	207	14	111	197	–	144	9	–	1" G	1" G	470	240	240	0,027	10,6

MODEL	ELECTRICAL DATA						HYDRAULIC DATA (n ≈ 2800 1/min)												
	VOLTAGE 50 Hz	P1 MAX kW	P2 NOMINAL		In A	CAPACITOR		Q											
			kW	HP		μF	Vc	m ³ /h	l/min	0	0,6	1,2	1,8	2,4	3	3,6			
JETINOX 112 M	1x220-240 V ~	1,4	1	1,36	6,2	25	450	H (m)	61	54	47,8	42,8	38,8	34,8	20				
JETINOX 112 T	3x230-400 V ~	1,35	1	1,36	4,3-2,5	–	–												

The performance curves are based on the kinematic viscosity values = 1 mm²/s and density equal to 1000 kg/m³. Curve tolerance according to ISO 9906.
 Liquid temperature range: from 0 °C to +35°C Maximum ambient temperature: +50°C

JETINOX 92



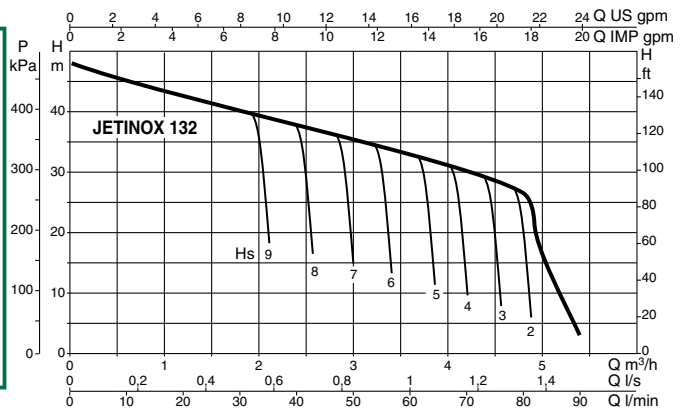
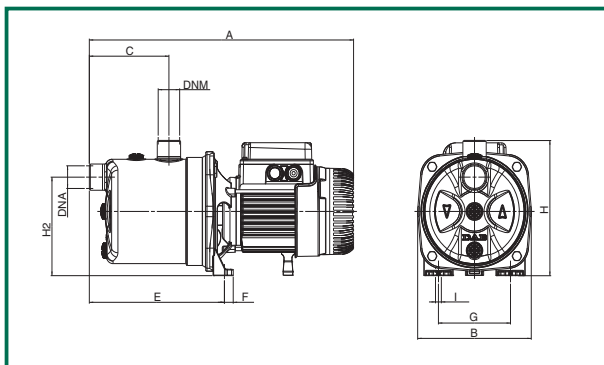
MODEL	A	B	C	E	F	G	H	H1	H2	I	L	DNA	DNM	PACKING DIMENSIONS			VOLUME	WEIGHT
														L/A	L/B	H	m ³	Kg
JETINOX 92	406	174	122	207	14	111	197	–	144	9	–	1" G	1" G	470	240	240	0,027	8,8

MODEL	ELECTRICAL DATA						HYDRAULIC DATA (n = 2800 1/min)										
	VOLTAGE 50 Hz	P1 MAX kW	P2 NOMINAL		In A	CAPACITOR	Q	0	0,6	1,2	1,8	2,4	3	3,6	4,2	4,8	H (m)
			kW	HP		μF	Vc	m ³ /h	l/min								
JETINOX 92 M	1x220-240 V ~	0,94	0,75	1	4,2	14	450										36,2
JETINOX 92 T	3x230-400 V ~	0,93	0,75	1	3,3-1,9	–	–										33,5
																	31
																	28,4
																	26
																	24
																	21,8
																	19,6
																	17,5

Liquid temperature range: from 0 °C to +35°C

Maximum ambient temperature: +50°C

JETINOX 132



MODEL	A	B	C	E	F	G	H	H1	H2	I	L	DNA	DNM	PACKING DIMENSIONS			VOLUME	WEIGHT
														L/A	L/B	H	m ³	Kg
JETINOX 132	424	174	122	207	14	111	197	–	144	9	–	1" G	1" G	470	240	240	0,027	10,6

MODEL	ELECTRICAL DATA						HYDRAULIC DATA (n = 2800 1/min)										
	VOLTAGE 50 Hz	P1 MAX kW	P2 NOMINAL		In A	CAPACITOR	Q	0	0,6	1,2	1,8	2,4	3	3,6	4,2	4,8	H (m)
			kW	HP		μF	Vc	m ³ /h	l/min								
JETINOX 132 M	1x220-240 V ~	1,49	1	1,36	6,6	25	450										48
JETINOX 132 T	3x230-400 V ~	1,43	1	1,36	4,7-2,7	–	–										45,6
																	42,8
																	40
																	37,6
																	35
																	32,5
																	30
																	27